

INDUCTIVE SENSOR LVIT



Series LVIT

Key-Features:

- Sensor with integrated electronics
- Spring loaded rod, protected against falling out
- Housing with outer thread M12
- Measurement ranges up to 20 mm
- Linearity up to $\pm 0.25\%$
- Analog output: 0...10 V
- Protection class up to IP65
- Temperature range -25...+85 °C

Content:

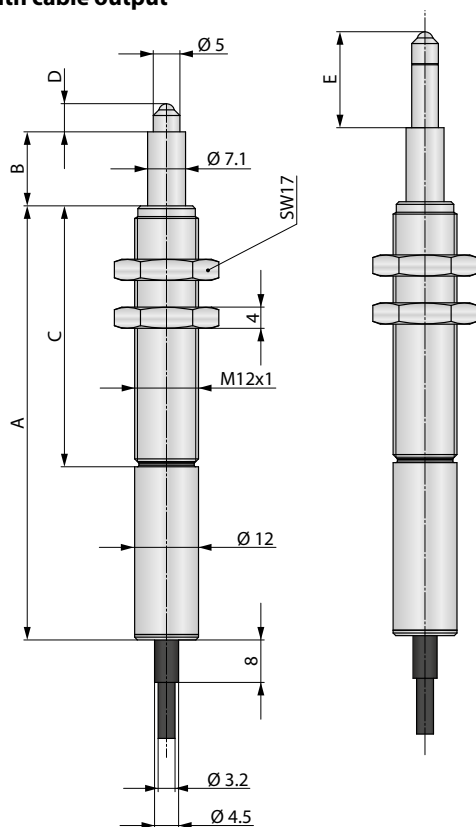
Technical Data2
Technical Drawing2
Electrical Connection3
Order Code3
Accessories3

TECHNICAL DATA

Measurement range	[mm]	2	5	10	20
Linearity	[% F.S.]	< ±0.5 / optional: < ±0.25			
Output		0...10V			
Supply	[VDC]	24 ±20 %			
Current consumption (no load)	[mA]	<20			
Load resistance	[kΩ]	>10			
Noise	[mV _{RMS}]	<5			
Cut-off frequency (-3 dB)	[kHz]	1			
Connection		cable output, axial, 4 poles (standard length 1 m) or connector output, axial, M12, 4 pins			
Protection class		IP65			
Operating temperature	[°C]	-25...+85			
Storage temperature	[°C]	-40...+85			
Temperature coefficient	[% F.S./K]	±0.04			
Shock resistance		100 g, 2 ms			
Vibration resistance		10 g, 2...2000 Hz			
Housing		stainless steel			
Core		nickel iron alloy			
Weight (with connector)	[g]	approx. 110			

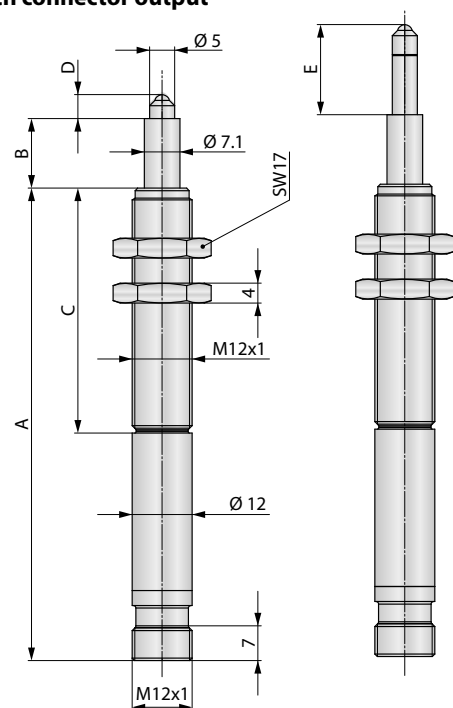
TECHNICAL DRAWING

Version with cable output



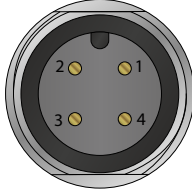
Measurement range		2	5	10	20
Housing length	A	56.5	70.5	81.5	111.5
Flange length	B		14		26.5
Thread length	C	24	38	49	78.5
Rod inner position	D	5.5	5	5	5
Rod outer position	E	10	12	18	28

Version with connector output

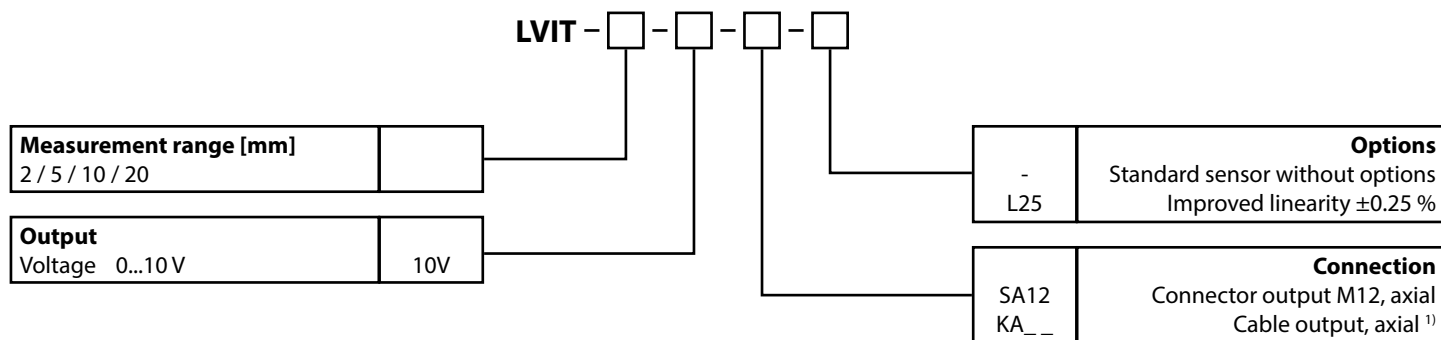


Measurement range		2	5	10	20
Housing length	A	69.5	83.5	94.5	124.5
Flange length	B		14		
Thread length	C	24	38	49	78.5
Rod inner position	D	5.5	5	5	5
Rod outer position	E	10	12	18	28

ELECTRICAL CONNECTION

Function	Cable output	Connector output	Connection cable K4P...	connector M12, male 
+24 VDC	BN	Pin 1	BN	
Signal	GN	Pin 2	WH	
GND _{supply}	GY	Pin 3	BU	
GND _{signal}	WH	Pin 4	BK	
shield	shield	housing	shield	

ORDER CODE



¹⁾ Length in m (min. 1 m).
Example: KA01 = 1 m (standard), KA02 = 2 m

ACCESSORIES

Cable with connector (female) M12, 4 poles, shielded	
K4P2M-S-M12	2 m, straight connector
K4P5M-S-M12	5 m, straight connector
K4P10M-S-M12	10 m, straight connector
K4P2M-SW-M12	2 m, angular connector
K4P5M-SW-M12	5 m, angular connector
K4P10M-SW-M12	10 m, angular connector

Mating connector M12 (female), 5 poles, shielded, for self assembly	
D4-G-M12-S	connector straight
D4-W-M12-S	connector angular

Subject to change without prior notice.

WayCon Positionsmesstechnik GmbH
email: info@waycon.de
internet: www.waycon.biz

WayCon

Positionsmesstechnik

Head Office
Mehlbeerenstr. 4
82024 Taufkirchen
Tel. +49 (0)89 67 97 13-0
Fax +49 (0)89 67 97 13-250

Office Köln
Auf der Pehle 1
50321 Brühl
Tel. +49 (0)2232 56 79 44
Fax +49 (0)2232 56 79 45